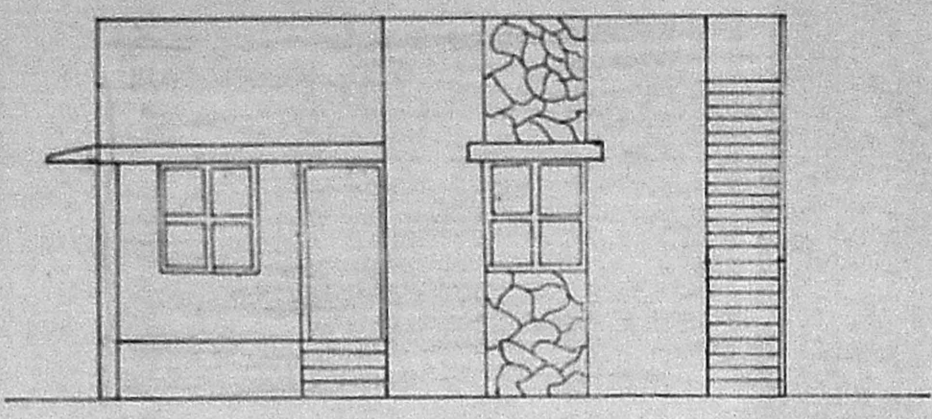
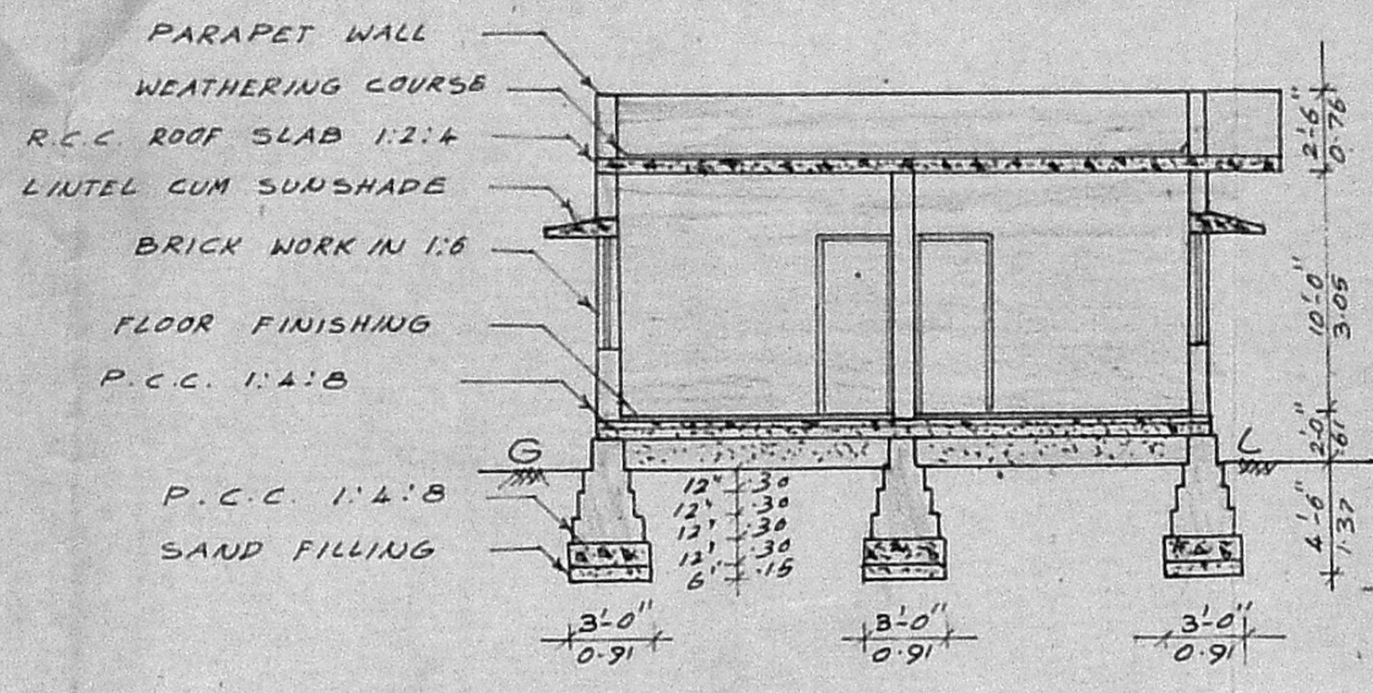


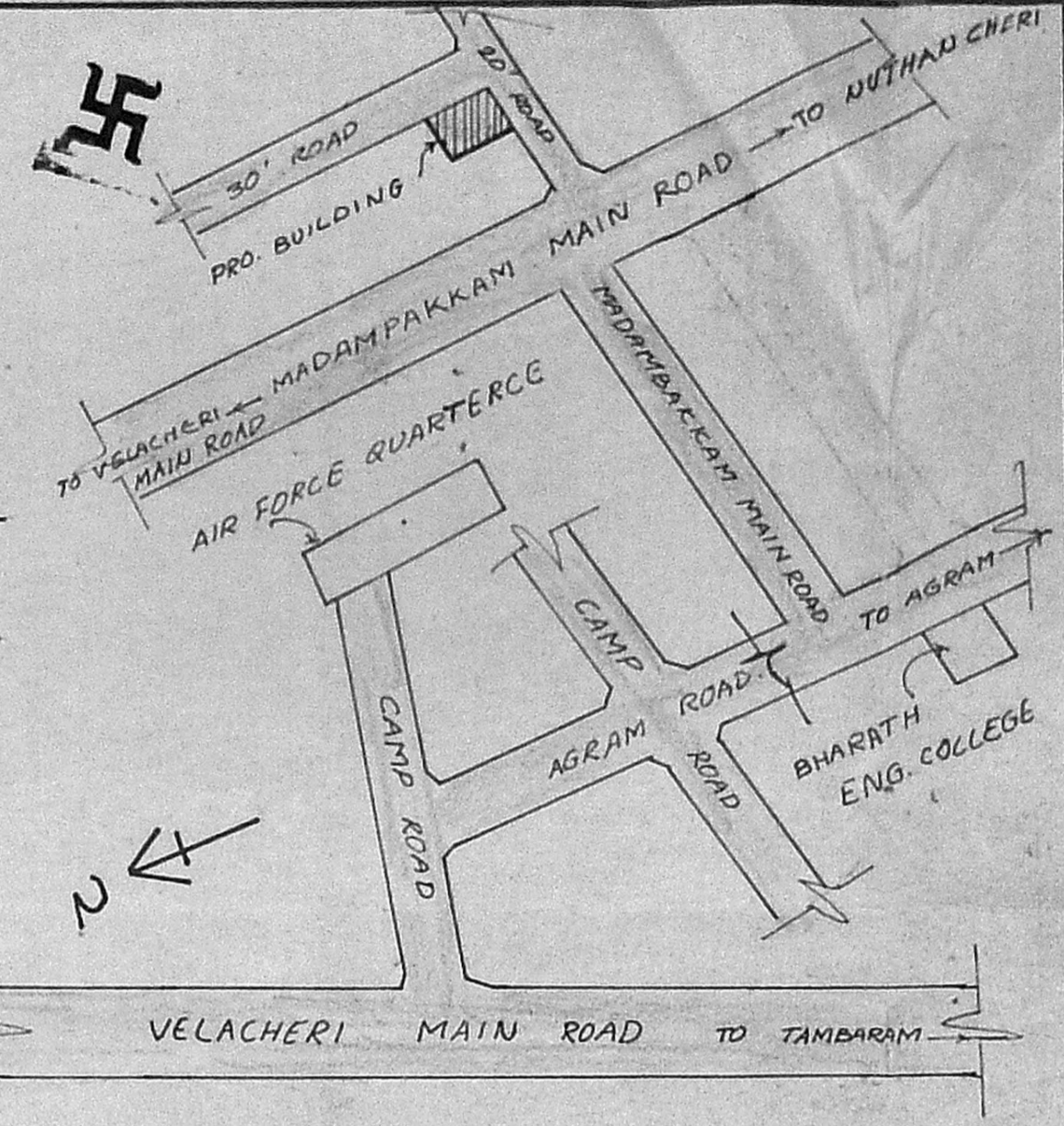
PLAN SHOWING THE PROPOSED CONSTRUCTION OF RESIDENTIAL BUILDING AT PLOT NO. 84-D, PADMAVATHY NAGAR EXTENSION IN S.NO. 747/1, MADAMPAKKAM PAUNCHAYAT SAIDAPET TALUK CHINGLEPET DISTRICT.



ELEVATION



SECTION ON-AB



KEY PLAN (NOT TO SCALE)

SCALE: 1" = 8.0' (or) 1:100

COLOUR INDEX

PROPOSED CONSTRUCTION	
EXISTING ROADS	
SITE BOUNDARY	

SCHEDULE OF JOINERIES

D	DOOR	3'-3" X 7'-0"	1.00 X 2.13
D1	DOOR	3'-0" X 7'-0"	0.91 X 2.13
D2	DOOR	2'-6" X 6'-6"	0.76 X 1.93
W	WINDOW	5'-0" X 4'-6"	1.52 X 1.87
W1	WINDOW	4'-6" X 4'-6"	1.37 X 1.37
W2	WINDOW	4'-0" X 4'-6"	1.22 X 1.37
V	VENTILATOR	3'-0" X 2'-0"	0.91 X 0.61

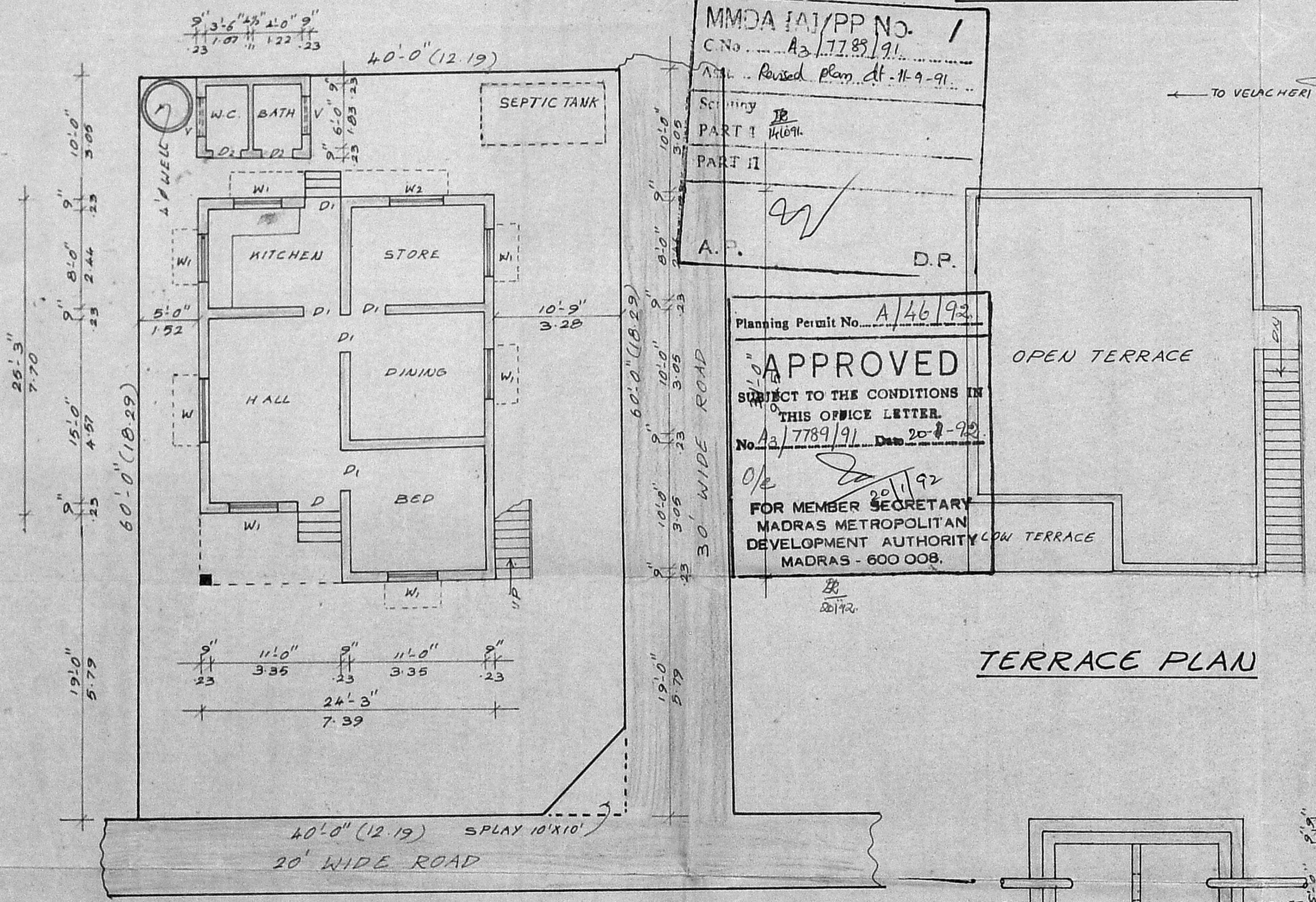
AREA PARTICULARS

	SQ. FT.	SQ. M
SITE EXTENT	2400	222.97
PRO. CONSTRUCTION	754.5	70.10

OWNER: *K. Ravi*

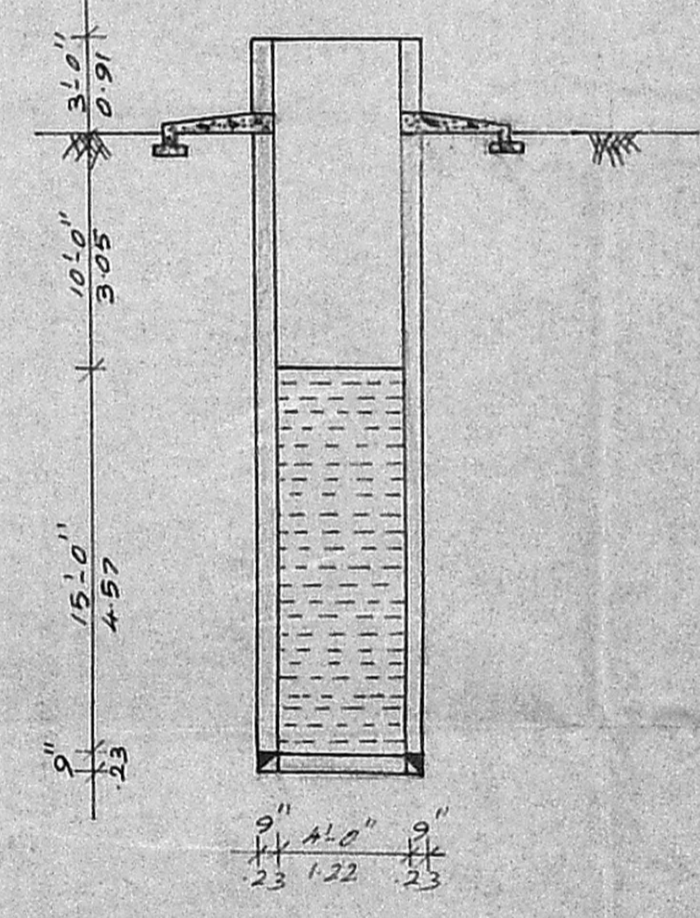
M. R. DEENA KUMAR D.C.E.
Consulting Civil Engineer & Contractor,
Madras Corporation Licensed Surveyor,
LICENCE NO. 139
12, SIXTH MAIN ROAD,
JAWAHAR NAGAR / GARAM,
MADRAS-600032

M. VENUGOPAL
CONSULTING CIVIL ENGINEER
LICENCE SURVEYOR CLASS I
CORPORATION OF MADRAS
MADRAS-600032

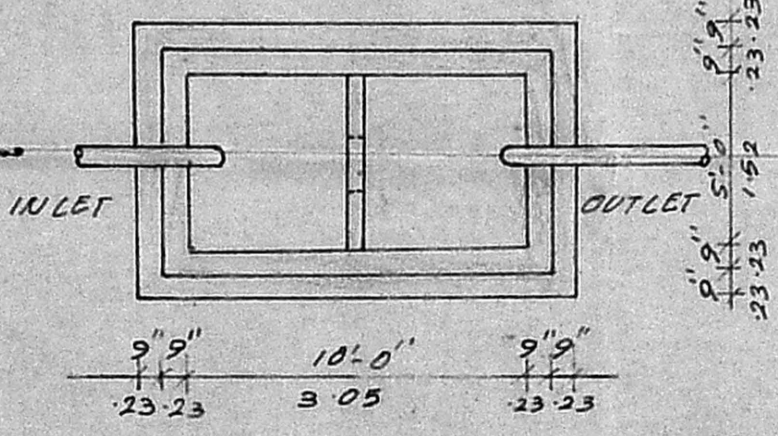


MMDA IAI/PP No. 1
C.No. A3/7789/91
Revised plan dt. 11-9-91
Secty *JB*
PART I
PART II
A.P. *[Signature]* D.P.
Planning Permit No. A/46/92
APPROVED
SUBJECT TO THE CONDITIONS IN THIS OFFICE LETTER.
No. A3/7789/91 Date 20-2-92
FOR MEMBER SECRETARY
MADRAS METROPOLITAN
DEVELOPMENT AUTHORITY
MADRAS - 600 008.

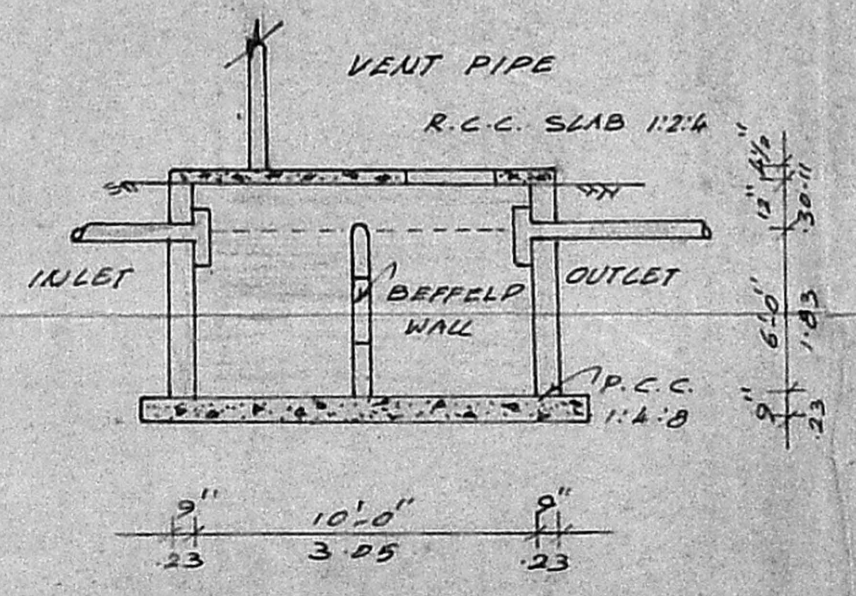
TERRACE PLAN



DETAILS OF WELL



PLAN ON SEPTIC TANK



SECTION

SITE & GROUND FLOOR PLAN